



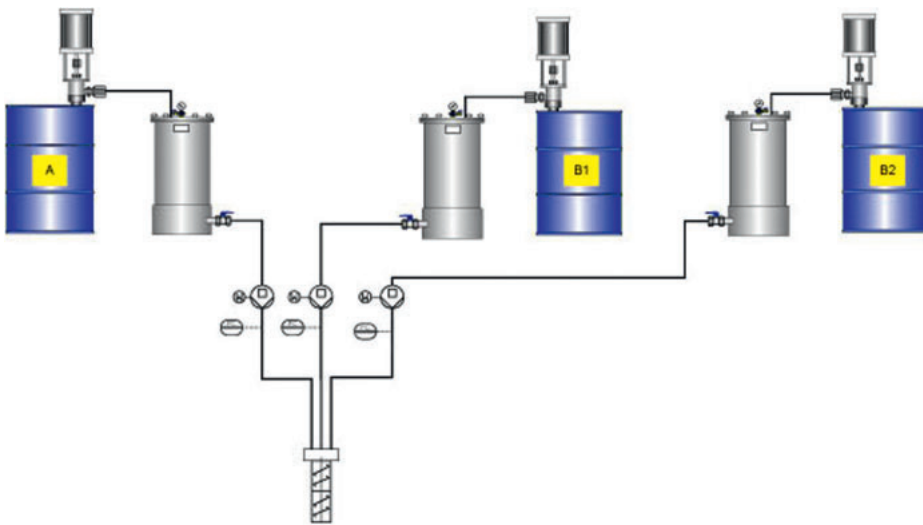
2 KOMPONENTEN MASCHINENBAU METERING AND MIXING SYSTEMS



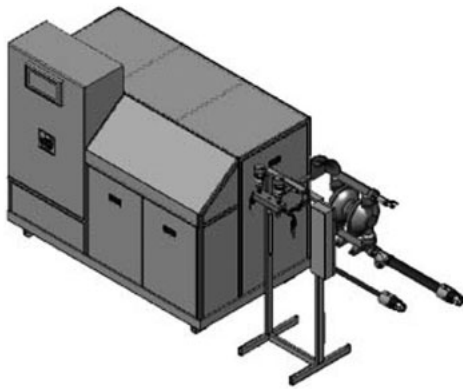
ResinMix 2C/3C

Elektrically actuated Metering Unit for the processing of epoxy resin
for handlaminating and Vacuum infusion

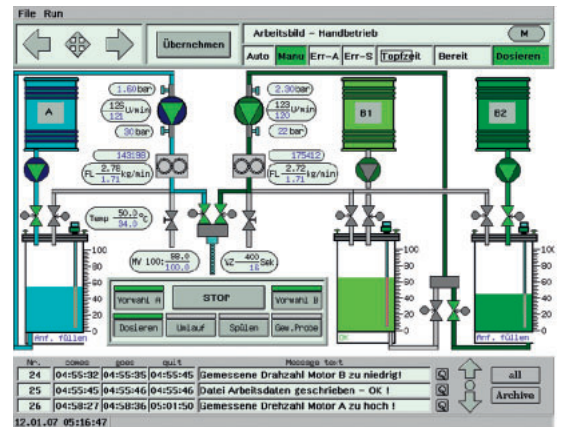
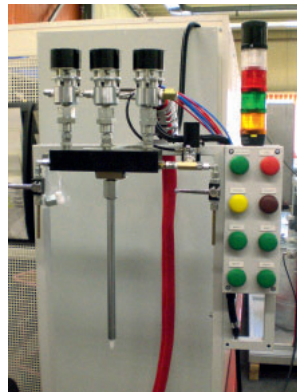




Volume counter for metering control



Movable mixing head with Easy-to-operate-Bedienung



Visualized control



heatable buffer vessel

Technical Data

viscosity	appr. 5.000 mPas
Processed quantity:	2 – 40 l/min (depending on viscosity and mixing)
Mixing ratio:	variable

Consumption / Connections

Material supply:	pneumatic feeding pumps
Electric:	max. 8,5 kW, 400VAC, 50Hz max. 16A
Pneumatic:	R1/4", 6bar (consumption: low)
weight:	appr. 1.000kg (2C) appr. 1.100kg (3C)
Dimensions:	(2.000 x 1.200 x 1.700)mm [L x W x H] (2C) (1.600 x 2.000 x 1.800)mm [L x W x H] (3C)

Technische Änderungen vorbehalten!